

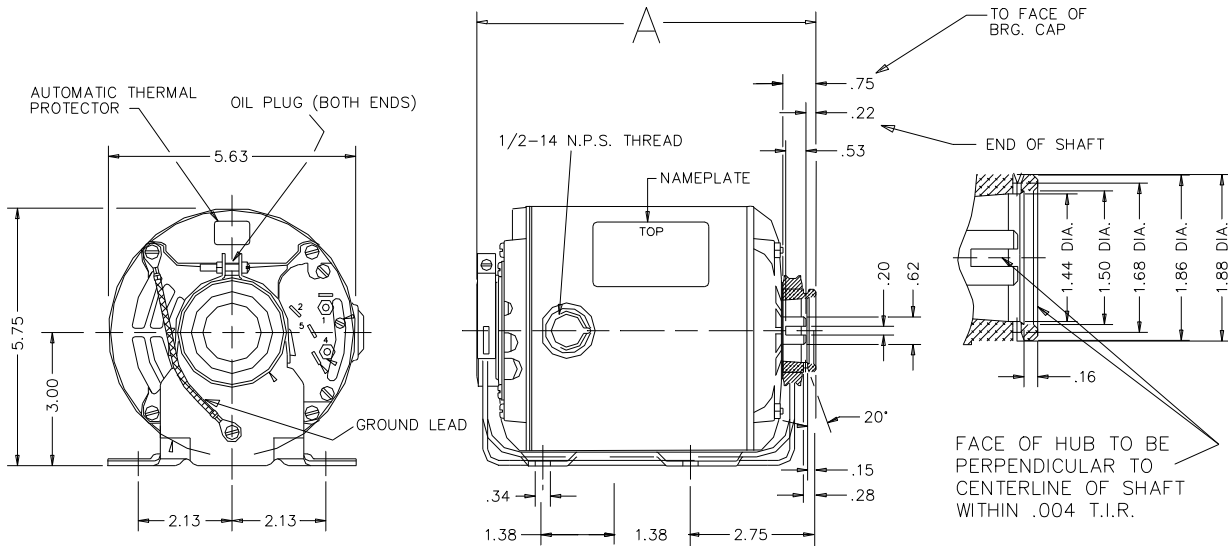
Motor Specifications & Prices

EFFECTIVE: March 24, 2011

Carbonator Motor 1725 RPM, 48Y Frame (Open Drip-Proof, Resilient Base with Sleeve Bearings)



Procon Part #	HP	Volts	HZ	Overall Length "A"	Shipped From Edco (ANY QUANTITY)	Drop Shipped (20+ Quantity)
859	1/4	200-240	50/60	7.75"	\$ 117.28	\$ 102.35
803	1/4	115	60	7.75"	\$ 102.84	\$ 92.94
828	1/3	100-120 / 200-240	50/60	8.25"	\$ 122.86	\$ 101.18
806	1/3	115	60	7.75"	\$ 110.57	\$ 97.65
871	1/2	110-120 / 200-240	60	8.75"	\$ 135.71	\$ 111.76
872	3/4	115/230	60	9.78"	\$ 147.14	\$ 121.17



ALL DIMENSIONS FOR REFERENCE ONLY

Notes:

1. GE manufactures and warrants all motors listed for 18 months from the date of manufacture. Prices are subject to change without notice.
2. Freight costs for any quantity of motors shipped directly from Edco are the responsibility of the Buyer.
3. The 20+ Drop Shipment price applies to the minimum order quantities of 20 units per model number and includes freight to any continental U.S. destination. (Motors are individually boxed.)
4. Full pallet quantities (90 motors per pallet, individually boxed) can consist of any combination of the various models listed above, for a total of 90 motors. Minimum lead-time for full pallet drop-shipments is three weeks.

8820 Belvedere Ave. Suite F
Sacramento, CA 95826 U.S.A.

Phone: (800)559-0415
Fax: (916)454-1549

email: johng@edcodistributing.com
www.edcodistributing.com